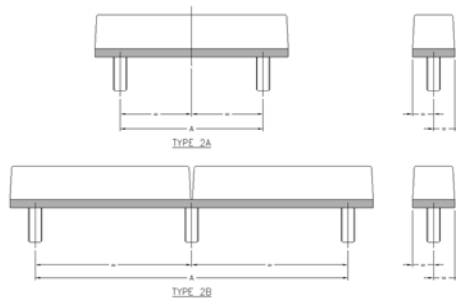
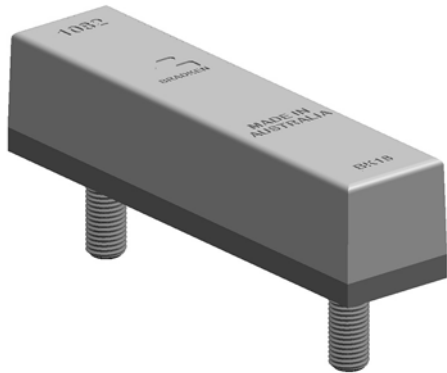
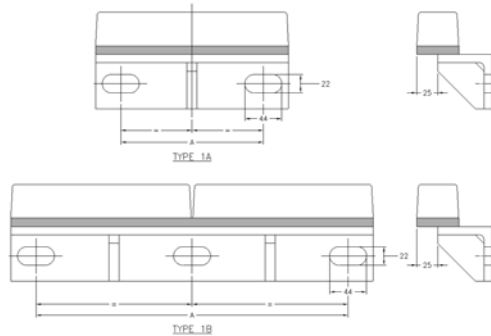
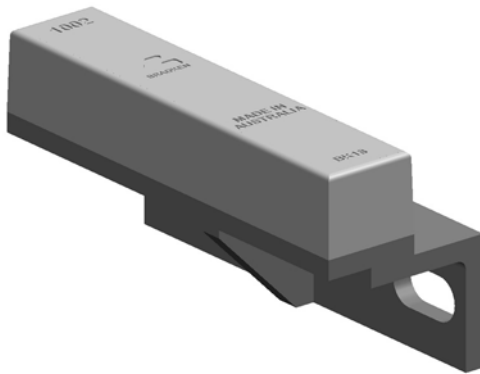


Microledge Dimensions and Weight

Old Part Number	New Part Number	Type	Block Size (mm)	Mount Type	Dimensions A (mm)	Weight (Kg)
BD128X50X50D70BKT	1253	1A	128X50X50	128X65X65X10 ANGLE	Dimensions available on request	3.7
BD190X50X50D70BKT	1257	1A	190X50X50	190X65X65X10 ANGLE		5.4
BD210X50X50D70BKT	1260	1A	210X50X50	210X65X65X10 ANGLE		6.0
BD230X50X50D70BKT	1266	1A	230X50X50	230X65X65X10 ANGLE		6.6
BD432X50X50D70BKT	1271	1B	432X50X50	432X65X65X10 ANGLE		12.4
BD128X50X50D70STD2	1254	2A	128X50X50	M16X35mm STUDS (X2)		2.7
	1288	2A	150X75X75	M20X50mm STUDS (X2)		6.6
BD190X50X50D70STD2	1258	2A	190X50X50	M16X35mm STUDS (X2)		3.9
BD210X50X50D70STD2	1261	2A	210X50X50	M16X35mm STUDS (X2)		4.3
BD230X50X50D70STD2	1267	2A	230X50X50	M16X35mm STUDS (X2)		4.7
	1287	2A	238X75X75	M20X50mm STUDS (X2)		10.4
	1286	2A	340X75X75	M20X50mm STUDS (X2)		14.9
BD432X50X50D70STD3	1272	2B	432X50X50	M16X35mm STUDS (X3)		8.8

Please contact your local sales office for exact dimensions, pricing and availability. Other sizes can be made on request.



E-mail: wpbsales@bradken.com.au

Microledge Dimensions and Weight

Old Part Number	New Part Number	Type	Block Size (mm)	Mount Type	Dimensions A (mm)	Weight (Kg)
BD190X50(75)X50D70STD2	1270	3A	190X50(75)X50	M16X35mm STUDS (X2)	Dimensions available on request	4.3
BD230X50(75)X50D70STD2	1105	3A	230X50(75)X50	M16X35mm STUDS (X2)		5.2
BD432X50(75)X50D70STD3	1475	3B	432X50(75)X50	M16X35mm STUDS (X3)		9.6
	1289	4A	241X100X58	241X150X10 PLATE		13.7
	1290	4B	241X100X58	241X150X10 PLATE		13.7
	1291	4A	150X100X58	150X150X10 PLATE		8.4
	1292	4A	241X100X58	241X150X10 PLATE		13.7

Please contact your local sales office for exact dimensions, pricing and availability. Other sizes can be made on request.

