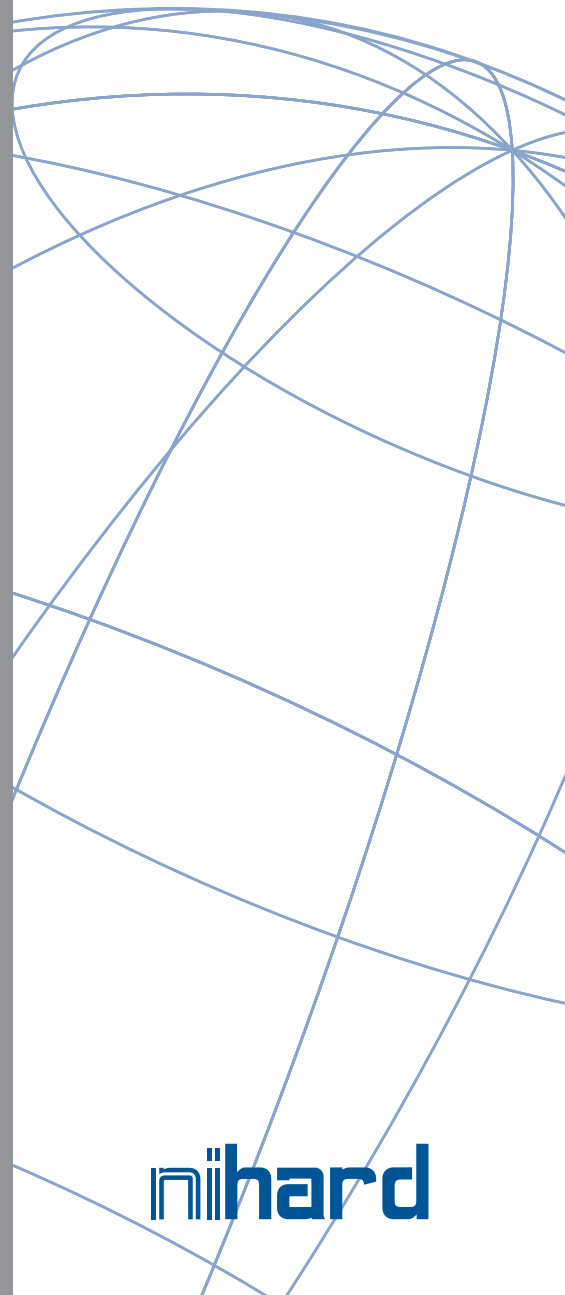


Wear Plate & Block

NiHard Products Catalogue



Our Innovation. Your Advantage.



nihard

nihard products

NiHard is a well-established white iron product alloyed with nickel and chromium to give significant abrasion and impact resistant properties. The structure of NiHard is composed of iron and chromium carbides, fixed in a matrix rendered martensitic by the nickel content. This structure allows NiHard to be utilised in abrasive and high impact conditions found throughout the construction, mining, manufacturing and mineral processing industries.

Bradken NiHard products include billets and liner plates that can be made to the customers' specification or supplied from our range of stock sizes. Bradken's NiHard products can be custom designed to meet any situation regardless of any size and shape concerns. Bradken can also supply cut and shaped liners to be strategically placed on fixed plant equipment so that a unique wear package can be created, maximising wear life. This makes NiHard the perfect material for chutes, drop boxes, bin and hopper liners.

Bradken primarily supplies cast billet and liner plates produced to the NiHard 4 specifications. However, Bradken can produce billets and liner plates from the following alloys on special request:

- NiHard 1 & 2
- 27 Chrome Alloy
- 15/3 White Iron
- 20/1 White Iron



Our Innovation. Your Advantage.

nihard liners

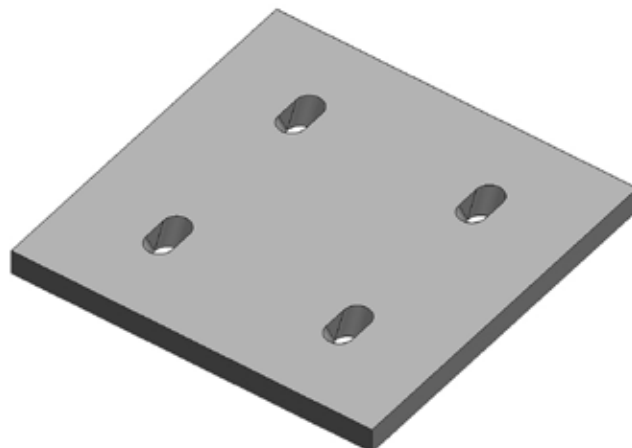
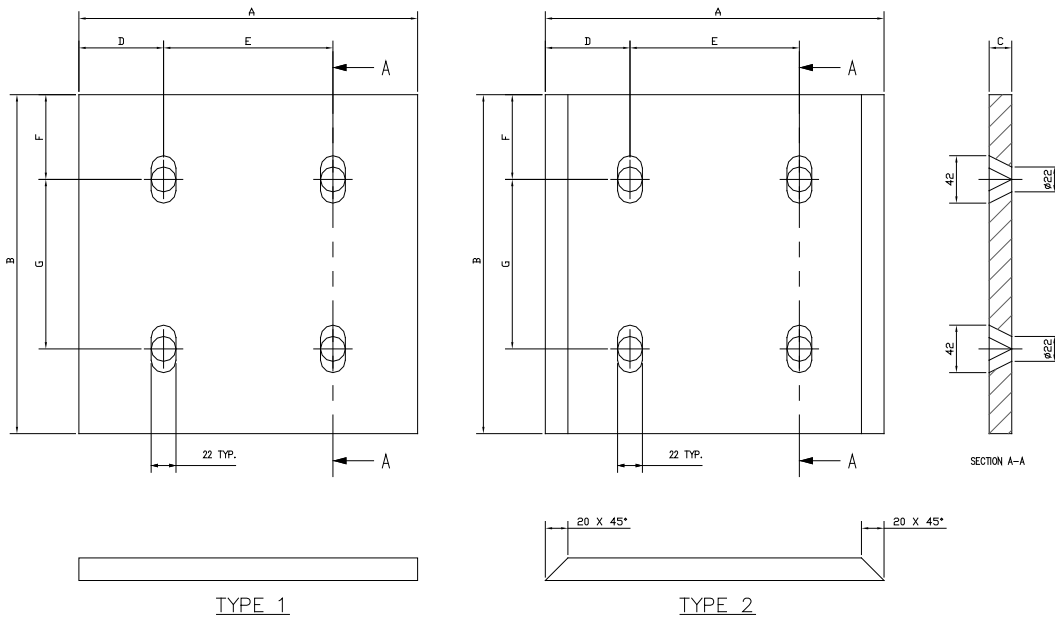
Standard Dimensions & Weights

20mm thick to suit M20 fishtail bolt

Part Number	Reference Number	Type	Dimensions (mm)							Weight (Kg)
			A	B	C	D	E	F	G	
D03779	L1	1	300	300	20	Dimensions available on request				13.8
D04078	L1S	2	300	300	20					12.8
D03786	L2	1	300	200	20					9.2
D03787	L3	1	300	150	20					6.9
D03792	L5	1	300	100	20					4.5
D03798	L6	1	200	100	20					3.0

Notes

1. Please contact your local sales office for pricing and availability.
2. Other sizes can be made on request.
3. Liners can be cut to size on request.
4. Bolts are available on request.



nihard liners

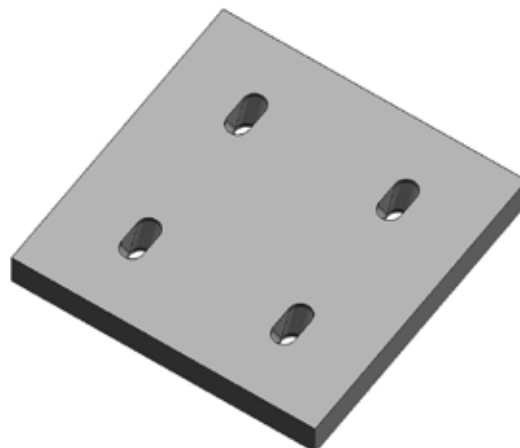
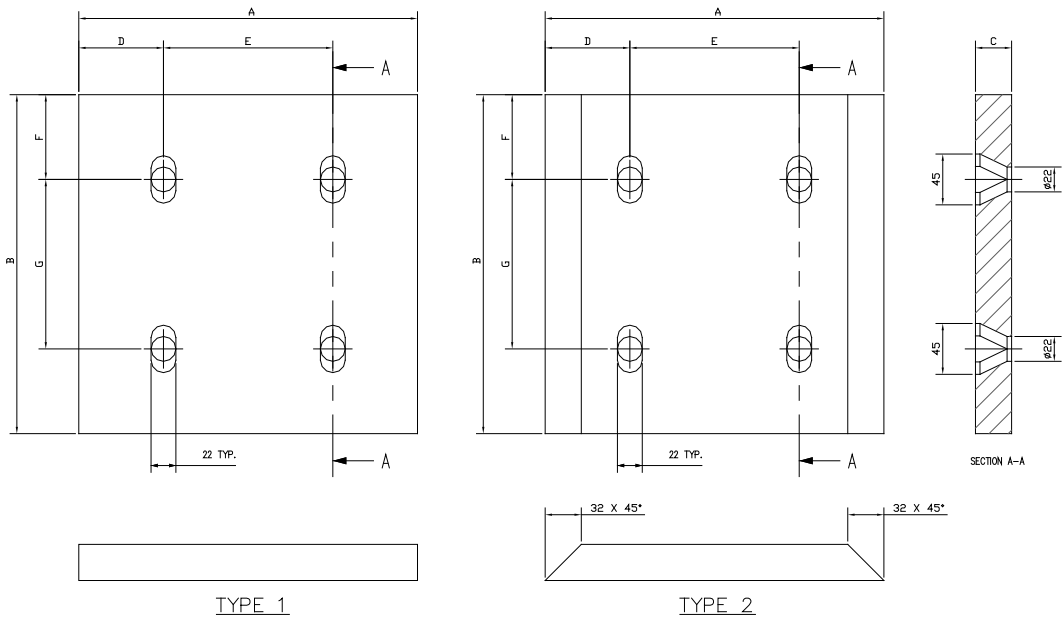
Standard Dimensions & Weights

32mm thick to suit M20 fishtail bolt

Part Number	Reference Number	Type	Dimensions (mm)							Weight (Kg)
			A	B	C	D	E	F	G	
D04064	N1	1	300	150	32	Dimensions available on request				11.0
D04065	N2	1	300	200	32					14.8
D04066	N3	1	300	300	32					22.0
D04067	N4	2	300	300	32					19.6
D04068	N5	1	300	100	32					7.2
D04069	N6	1	200	100	32					4.7

Notes

1. Please contact your local sales office for pricing and availability.
2. Other sizes can be made on request.
3. Liners can be cut to size on request.
4. Bolts are available on request.



Our Innovation. Your Advantage.

nihard billets

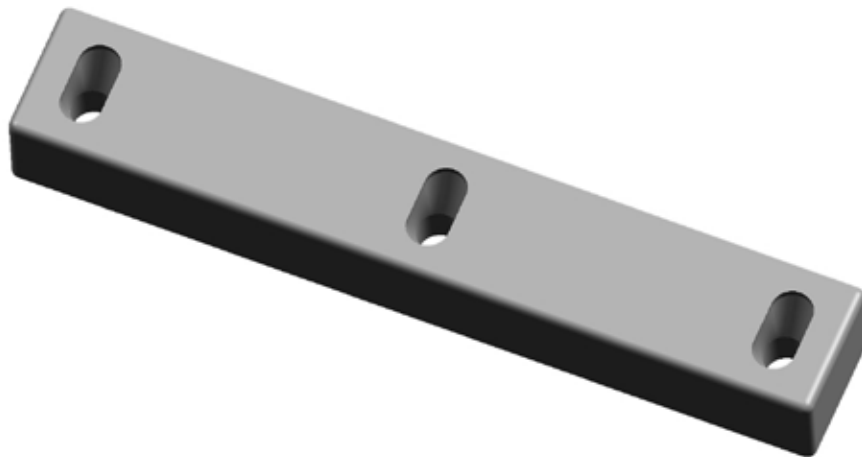
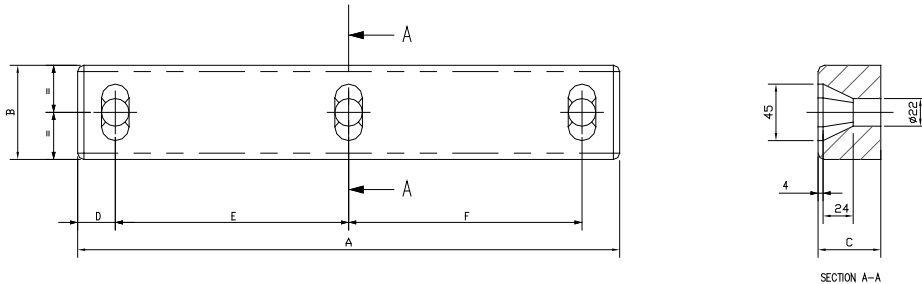
Standard Dimensions & Weights

50mm thick to suit M20 fishtail bolt

Part Number	Reference Number	Type	Dimensions (mm)							Weight (Kg)
			A	B	C	D	E	F	G	
D02971	B128	1	128	75	50	Dimensions available on request				3.3
D02972	B210	1	210	75	50					5.7
D02793	B432	1	432	75	50					12.0

Notes

1. Please contact your local sales office for pricing and availability.
2. Other sizes can be made on request.
3. Bolts are available on request.



nihard billets

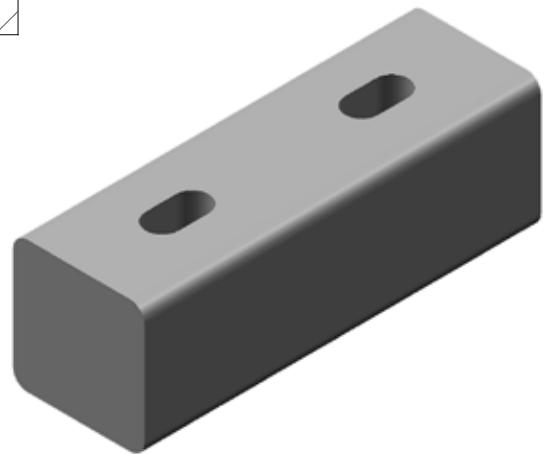
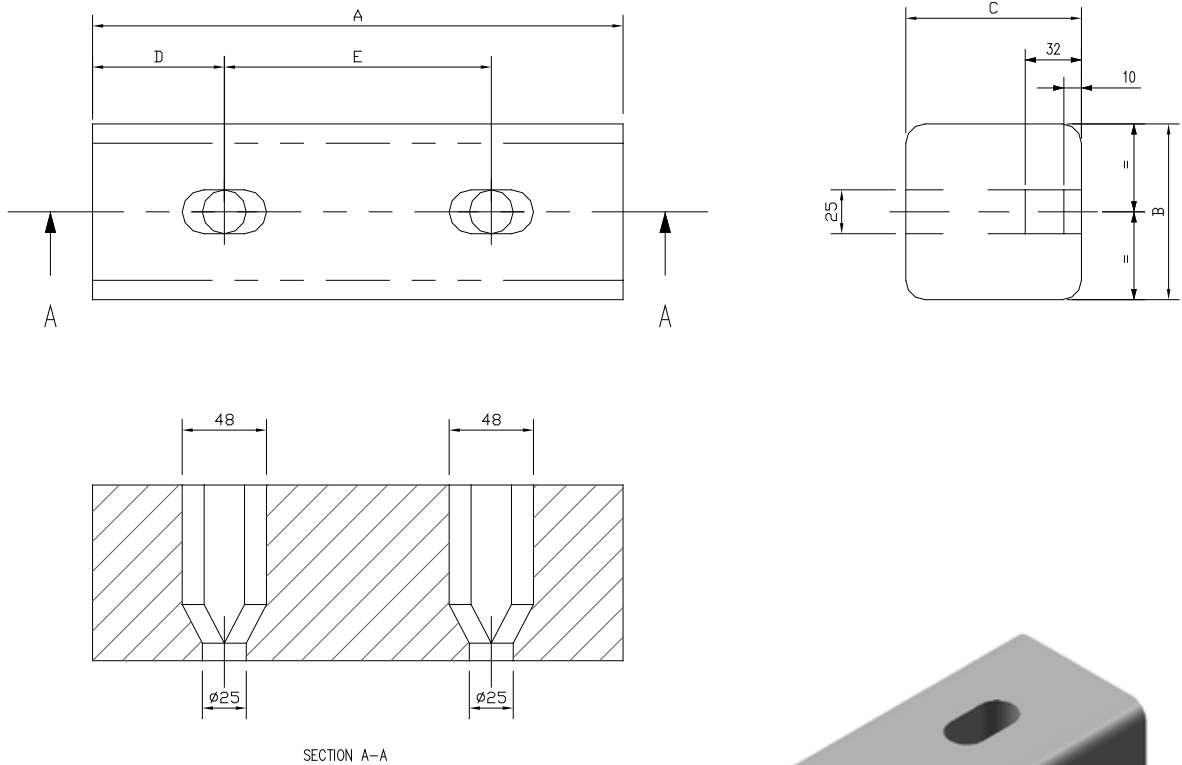
Standard Dimensions & Weights

100mm thick to suit M22 fishtail bolt

Part Number	Reference Number	Type	Dimensions (mm)							Weight (Kg)
			A	B	C	D	E	F	G	
D03468	WB1	1	302	100	100	Dimensions available			22.0	
D03536	WB2	1	454	100	100	on request.			33.8	

Notes

1. Please contact your local sales office for pricing and availability.
2. Other sizes can be made on request.
3. Bolts are available on request.



Our Innovation. Your Advantage.

nihard billets

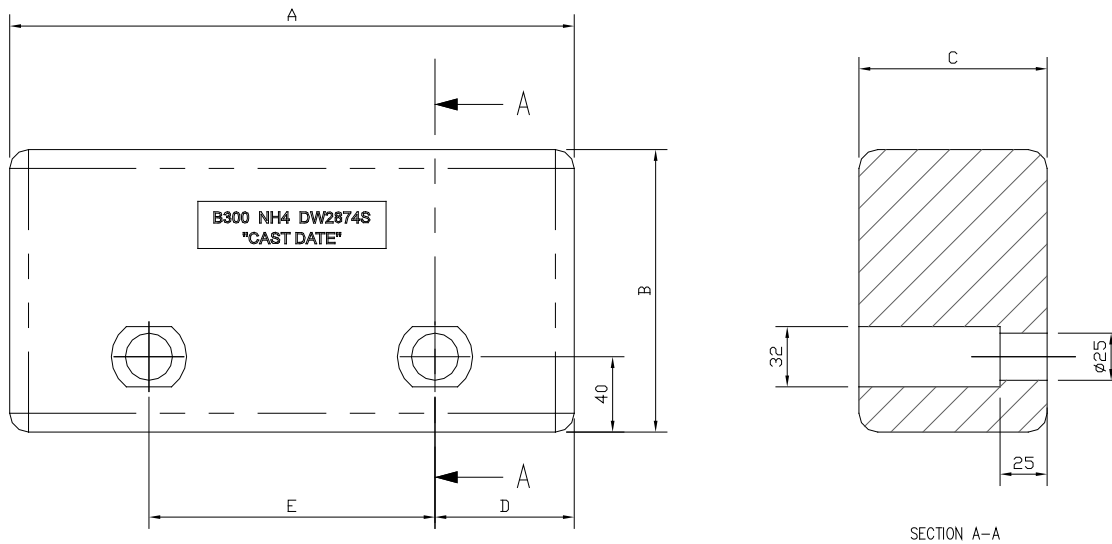
Standard Dimensions & Weights

100mm thick to suit M20 hex head bolt

Part Number	Reference Number	Type	Dimensions (mm)							Weight (Kg)
			A	B	C	D	E	F	G	
DW2875S	B224	1	224	150	100	Dimensions available on request.				24.5
DW2874S	B300	1	300	150	100	on request.				33.4

Notes

1. Please contact your local sales office for pricing and availability.
2. Other sizes can be made on request.
3. Bolts are available on request.



nihard billets

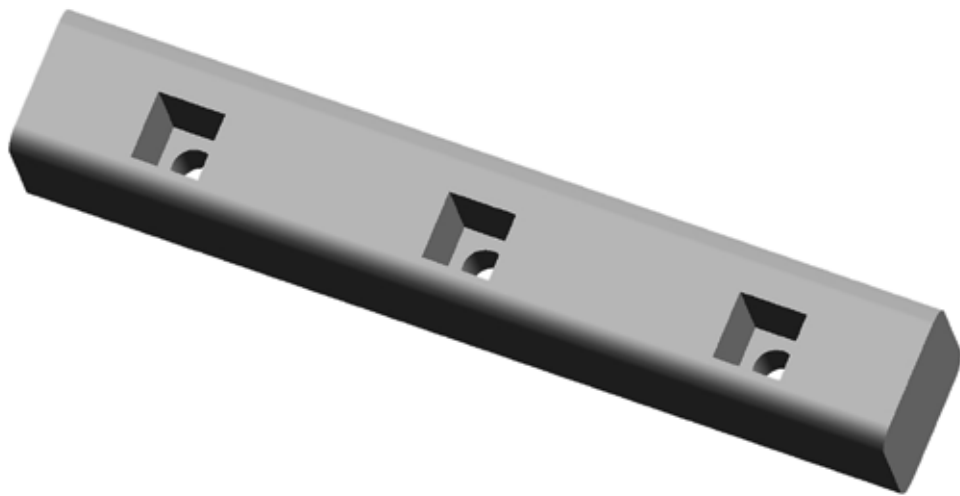
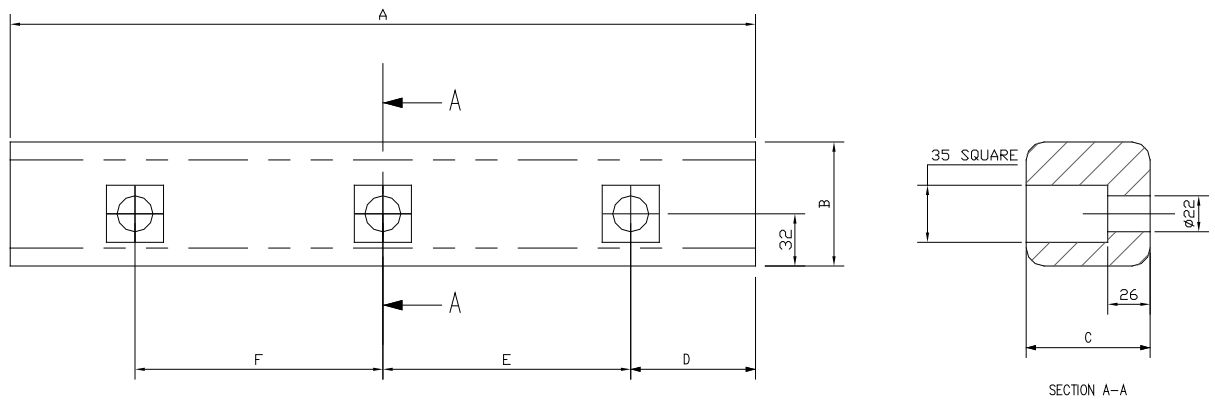
Standard Dimensions & Weights

76mm thick to suit M20 square head bolt

Part Number	Reference Number	Type	Dimensions (mm)							Weight (Kg)
			A	B	C	D	E	F	G	
D00927S	12" BILLET	1	305	76	76	Dimensions available			12.5	
D00926S	18" BILLET	1	457	76	76	on request.			18.8	

Notes

1. Please contact your local sales office for pricing and availability.
2. Other sizes can be made on request.
3. Bolts are available on request.



Our Innovation. Your Advantage.

nihard billets

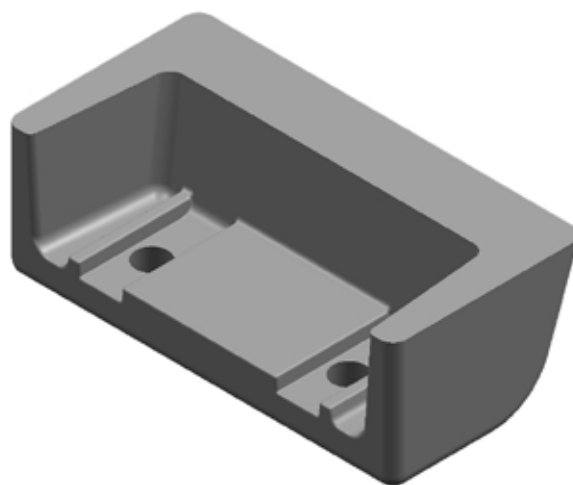
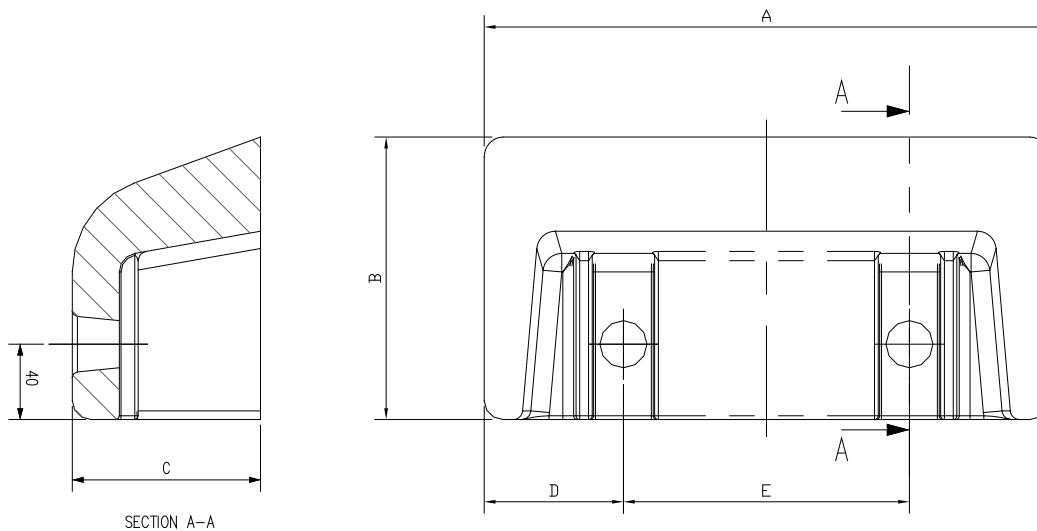
Standard Dimensions & Weights

Hollow billets to suit M20 bolt

Part Number	Reference Number	Type	Dimensions (mm)							Weight (Kg)
			A	B	C	D	E	F	G	
DW3012S	HB224	1	224	150	100	Dimensions available			13.5	
DW3011S	HB300	1	300	150	100	on request.			17.6	

Notes

1. Please contact your local sales office for pricing and availability.
2. Other sizes can be made on request.
3. Bolts are available on request.



Bradken® Offices

Adelaide, SA

80 Cromwell Road
Kilburn SA 5084
T +61 8 8262 7378
F +61 8 8262 9978

Brisbane, QLD

54 Bonemill Road
Runcorn QLD 4113
T +61 7 3345 9088
F +61 7 3344 1011

Emerald, QLD

3/23 Hospital Road
Emerald QLD 4720
T +61 7 4982 4162
F +61 7 4982 3211

Gladstone, QLD

177 Old Ten Chain Road
Calliope QLD 4680
T +61 7 4975 7354
F +61 7 4975 7836

Kalgoorlie, WA

142 Cunningham Road
Kalgoorlie WA 6430
T +61 8 9091 4855
F +61 8 9091 4866

Mackay, QLD

2 Commercial Avenue
Paget QLD 4740
T +61 7 4952 0300
F +61 7 4952 0390

Mt Isa, QLD

Lot 3, 5 Northridge Road
Northridge Industrial Estate
Mt Isa QLD 4825
T +61 7 4744 0200
F +61 7 4743 8653

Mt Thorley, NSW

Lot 58-59 Woodlands Road
Mt Thorley NSW 2330
T +61 2 6574 6699
F +61 2 6574 6709

Melbourne, VIC

32 Business Park Drive
Notting Hill VIC 3168
T +61 3 9263 1200
F +61 3 9544 4629

Newcastle, NSW

2 Maud Street
Mayfield West NSW 2304
T +61 2 4960 2050
F +61 2 4960 1826

Orange, NSW

2/87 Byng Street
South Orange NSW 2800
T +61 2 6392 2471
F +61 2 6361 3877

Perth, WA

170 Railway Parade
Bassendean WA 6054
T +61 8 9449 8300
F +61 8 9449 8334

Townsville, QLD

133-139 Dalrymple Road
Garbutt QLD 4814
T +61 7 4725 5905
F +61 7 4725 5949

Wundowie, WA

52 Hawke Avenue
Wundowie WA 6560
T +61 8 9573 6300
F +61 8 9573 6424

Port Hedland, WA

M 0438 968 508

Bradken Resources Pty Limited
ABN 82 098 300 988

Wear Plate & Block Head Office

170 Railway Parade
Bassendean WA 6054
Australia

PO Box 51
Bassendean WA 6934
Australia

T +61 8 9449 8300

F +61 8 9449 8334

E wpbsales@bradken.com.au

W bradken.com

Bradken Head Office

2 Maud Street
Mayfield West NSW 2304
Australia

PO Box 105
Waratah NSW 2298
Australia

T +61 2 4941 2600

F +61 2 4967 5003

E bradken@bradken.com.au

W bradken.com



© 2008 - Bradken®

Bradken® is a registered trademark of Bradken Resources Pty Limited.

(Ref: 3 BKM SP MKT NiHard Cat. - Dec 2008)